

TURMALINE

COMBINED FROZEN CABINET WITH WIDE LOOK GLASS DOOR TOP

SKY



Kaplanlar



TURMALINE

COMBINED FROZEN CABINET WITH WIDE LOOK GLASS DOOR TOP

SKY



Dimensions (mm):

Height : 2020 / 2220
Length : 1875 / 2500 / 3750
Depth : 1160

SYSTEM	OPERATING TEMP. °C	REFRIGERANT
REMOTE	-22 / -24	HFC blend HFC/HFO blend CO ₂

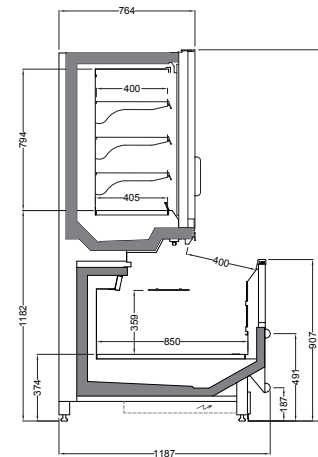
HFC: R407A / R407F / R404A • HFC/HFO BLEND: R448A / R449A / R452A • CO₂: R744

Benefits & Specifications:

- Canopyless
- Full length frameless glassdoors
- Complimentary upper and lower sections
- Lower section gives easy, ergonomic access
- Upper section for display and storage
- Ideal for bulk presentations
- Accommodates a wide variety of products
- Makes product replenishment quick and easy
- Designed for modular configurations
- Combined sections save on operating cost

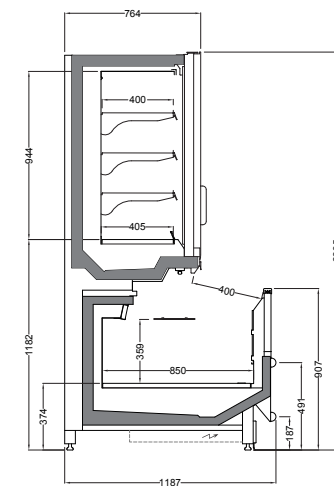


TECHNICAL DATA



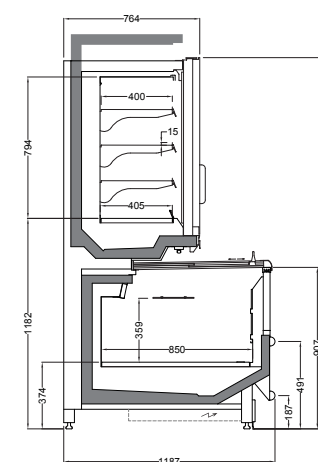
TURMALINE SKY 2050

Length mm	1875	2500	3750
Doors	3	4	6



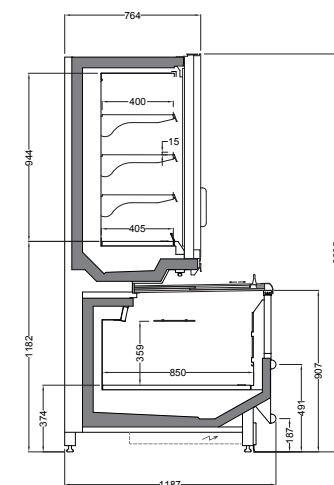
TURMALINE SKY 2200

Length mm	1875	2500	3750
Doors	3	4	6



TURMALINE SKY 2050

Length mm	1875	2500	3750
Doors	3	4	6



TURMALINE SKY 2200

Length mm	1875	2500	3750
Doors	3	4	6

Kaplanlar reserves the right to make appropriate technical modifications without prior notice.

STAY COOL & KEEP FRESH

